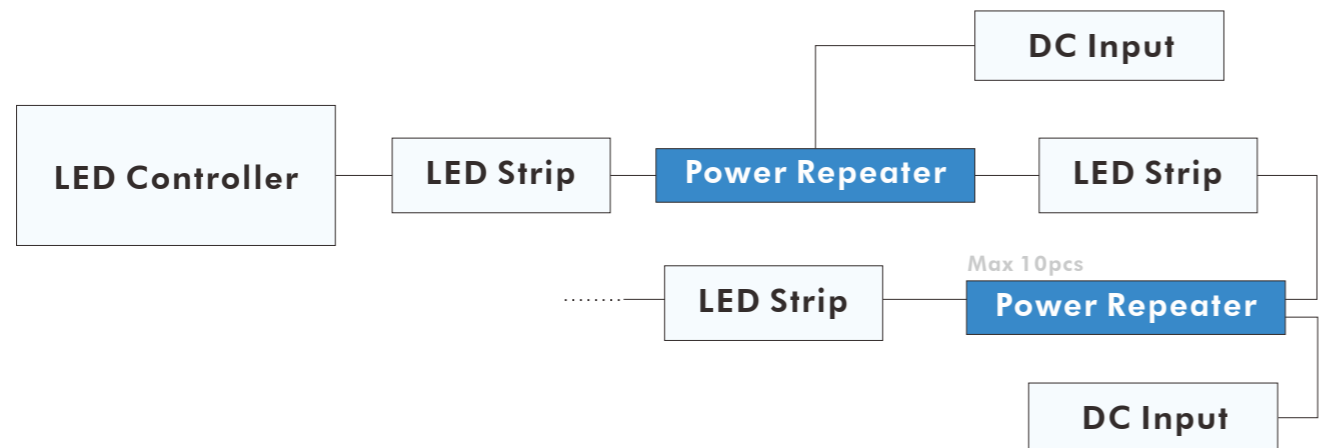
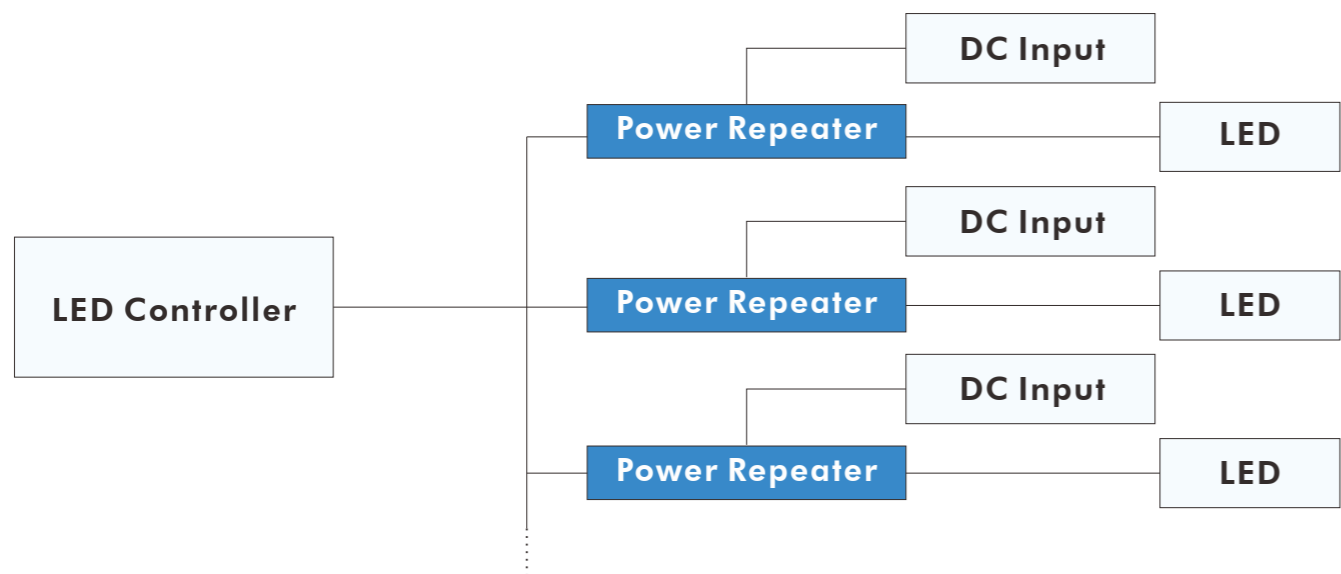
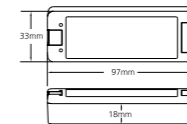


Power Repeater Series

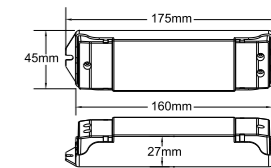


Power Repeater

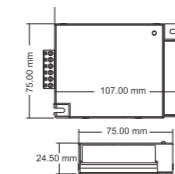
- 1-5 Channel.
- PWM signal input.
- Connected in series or in parallel to expand output unlimitedly. Apply to single color constant voltage LED strip or module.



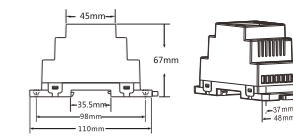
| Model | Input Voltage | Output Current | Output Power |
|-------|---------------|----------------|--------------|
| EV1 | 5-36VDC | 1CH, 8A/CH | 40-288W |



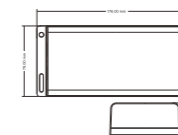
| Model | Input Voltage | Output Current | Output Power |
|-------|---------------|----------------|----------------|
| EV1-S | 12-36VDC | 1CH, 15A/CH | 75-540 W |
| EV3 | 12-36VDC | 3CH, 6A/CH | 3 x (72-216)W |
| EV3-H | 12-60VDC | 3CH, 5A/CH | 3 x (60-300) W |
| EV4 | 12-36VDC | 4CH, 5A/CH | 4 x (60-180)W |
| EV4-H | 12-60VDC | 4CH, 5A/CH | 4 x (60-300) W |



| Model | Input Voltage | Output Current | Output Power |
|-------|---------------|----------------|----------------|
| EV3-X | 12-24VDC | 3CH, 10A/CH | 3 x (120-216)W |
| EV4-X | 12-24VDC | 4CH, 8A/CH | 4 x (96-192)W |
| EV5 | 12-24VDC | 5CH, 5A/CH | 5 x (60-120)W |

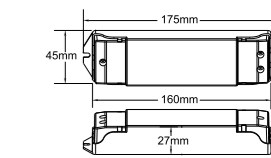


| Model | Input Voltage | Output Current | Output Power |
|-------|---------------|----------------|----------------|
| EV4-D | 5-24VDC | 4CH, 5A/CH | 4 x (25-120) W |



IP 67 Waterproof

| Model | Input Voltage | Input current | Output current | Output power |
|--------|---------------|---------------|----------------|--------------|
| EV4-WP | 12-36VDC | 20.5A | 4x5A | 4x(60-180)W |



Constant current

| Model | Input Voltage | Output Current | Output Power |
|------------|---------------|----------------|------------------|
| EC4(350mA) | 12-48VDC | 4CH, 350mA/CH | 4 x (1.05-16.1)W |
| EC4(700mA) | 12-48VDC | 4CH, 700mA/CH | 4 x (2.1-32.2)W |